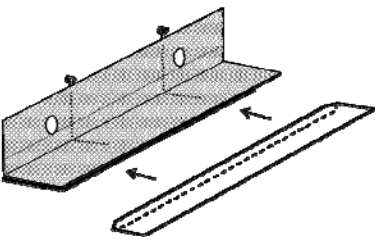
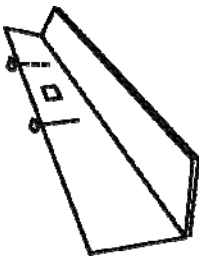
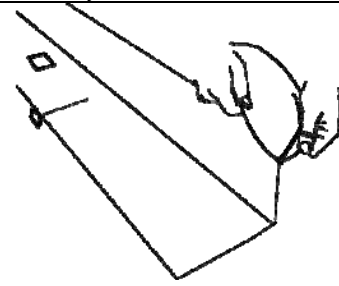
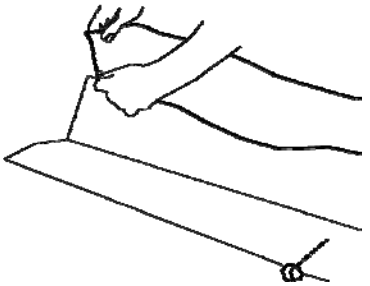


Installation and Maintenance Guidelines: Hydrocarbon Protection Jacket
Curb Inlet Guard™ (HP - CIG) Curb Inlet Protection – curb opening, no grate

<p>Assembly: Hydrocarbon Protection Jacket fits over leading edge of Curb Inlet Guard</p>	<p>Step 1: Lay Curb Inlet Guard on vertical leg so that horizontal leg stands upright</p>	<p>Step 2: Slip corner of Jacket over corner of base of Curb Inlet Guard. Cover all layers.</p>	<p>Step 3: Stretch and slip opposite corner over opposite corner of base of Curb Inlet Guard.</p>
			
<p>Step 4: Locate Curb Inlet Guard snugly against curb face so that water cannot flow behind. Place so that Hydrocarbon Protection Jacket is on the leading edge so that it is the first portion to encounter Stormwater flows.</p>		<p>Notes and Maintenance:</p> <ul style="list-style-type: none"> • Anchor with 2 or 3 gravel bags (15 to 20 lbs. – half full). Select bags with long term UV exposure and toughness for resistance to traffic. • Replace soiled or torn Hydrocarbon Protection Jackets as needed. • Inspect the inlet protection when rain is forecast. Inspect following rainfall events and during prolonged rainfall. Perform maintenance as needed. • Sediment and debris shall be moved when the sediment accumulation reaches 1 inch. Keep Hydrocarbon Protection Jacket free from sediment and debris so that it remains exposed to Stormwater flows. <p>Important: All information is believed to be reliable. Users should evaluate the suitability of each product for their application. ERTEC Environmental Systems makes no warranties as to the accuracy or completeness of the information, and disclaims any liability regarding its use. ERTEC Environmental System's only obligations are those in the ERTEC Standard Terms and Conditions of Sale for this product, and in no case will ERTEC Environmental Systems or its distributors be liable for any incidental, indirect or consequential damages arising from the sale, resale, use or misuse of the product. ERTEC reserves the right to make changes, without notification to Buyer, to specifications or processing of materials that do not affect compliance with any applicable specification.</p>	
