



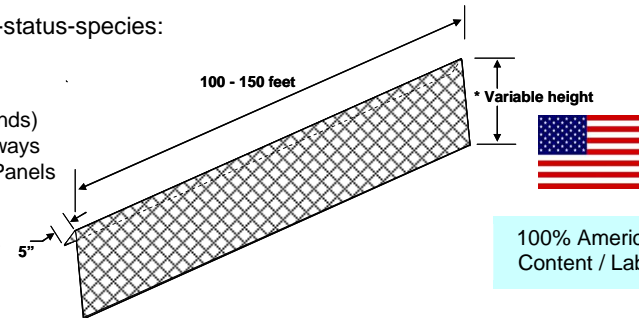
E-Fence is a patented, durable, and low-cost Wildlife Exclusion or Directional Control Barrier designed for projects in habitat of special-status small vertebrates. The fence excludes small vertebrates from active construction areas, controls their movement within fragmented habitat and allows survey perimeter control. The barrier is made from a heavy, rigid polymer matrix which is extruded for strength and durability. The extruded strands of the ERTEC matrix will not separate, stretch or entrap even persistent intruders. Unlike metal mesh, it does not present a laceration hazard and unlike mono-filament plastic mesh (found in traditional erosion control products) it will neither entangle nor entrap. It is non-toxic and environmentally safe. Even after extensive exposure

to sun-light, harsh weather and salt water it continues to perform. It will not corrode like metal hardware cloths. Unlike silt fence, plywood fence or solid barriers, E-Fence passes wind and water flows which allow it to be installed across contours (up and down hills) without the destructive effects of storm water scouring and undermining. E-Fence provides very high reliability (up-time) which significantly reduces maintenance and monitoring costs. E-Fence can be used for temporary or permanent requirements. It is a **ZERO Waste** solution (reusable, recyclable). Accepted by USFWS, E-Fence is configurable for individual species. **Triple-Function** E-Fence provides: 1) exclusion, 2) high-viz safety, and 3) sediment control in the same trench, for additional cost savings, eliminating the need for additional fences.

Configurable for distinct special-status-species:

Options/Accessories:

- Height & Trench Depth
- Climber Barriers (Lips or Belly Bands)
- Snake Funnels & One-Way Gateways
- Equipment Gates and Exclusion Panels
- Livestock Control
- No-Trench Ground Seals
- High Visibility Construction Safety
- Sediment Control Panel



ZERO Waste
 ✓ Recycled
 ✓ Reusable
 ✓ Recyclable

Key Product Characteristics (partial list)

Unit weight, (lbs/sq ft)	0.16 - 0.19	Reusable	YES
Standard design life black (min)(years)	6+	Recyclable	YES
Dimension – segment lengths (ft)	100 to 150	UV Stability ASTM D4355 %	96
Configurable for different species	YES	Service temperature range (deg F)	-30 to 160
Optional Climber Barrier Options	YES	Integrated Sediment Control Panel Options	YES



Product Benefits

- Very reliable - reduces washouts and blow-downs, no corrosion
- Lowest total costs
- Lasts many years with little maintenance and reusable
- Significantly reduced monitoring
- Configurable for distinct species

Product Designation	Dimensions
E-Fence Width: 10, 20, 24 or 30 in	150 foot segments, variable configurations, 10, 20, 24, 30 in Black; 24 in Orange
E-Fence Width: 40 in	100 foot segments, variable configurations, Black
E-Fence Width: 48+ in	100 foot segments, variable configurations, Black or Orange
Configurable for different species, available accessories	Climber Barriers, Escape Funnels, Trench Depth, Height, Duration, No-Trench Ground Seals, Sealable Personnel & Equipment Gates, Sediment Control See Specification for recommended configuration for each species.

Design and Installation

Contact ERTEC for species specific configurations and installation guides.