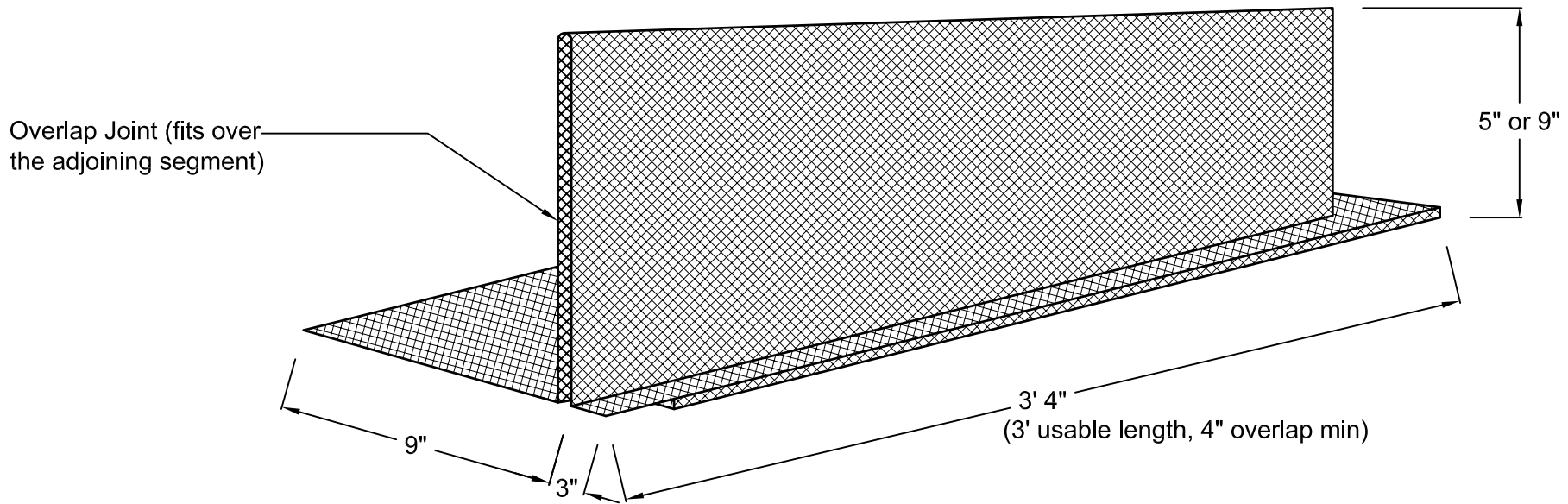


ERTEC® Ditch Guard™
Dimensions and Spacing



Design Spacing = Height (0.75 ft) / Gradient
 (Example: 5% Gradient 0.75 ft / 0.05 = 15 ft)

Gradient	Ditch Guard 9" Spacing (ft)	Ditch Guard 5" Spacing (ft)
1%	76	42
2%	38	21
3%	25	14
4%	19	10
5%	15	8
6%	12	7
7%	11	6
8%	9	5

Specifications: ERTEC® Ditch Guard™ Permeable Berm

The permeable berms shall be Ditch Guard™ as manufactured by ERTEC.

The berms shall have the following properties:

Length: 3' - 4" (3 feet usable)

Height: 0.75 feet, 0.42 feet

Polymer: HDPE

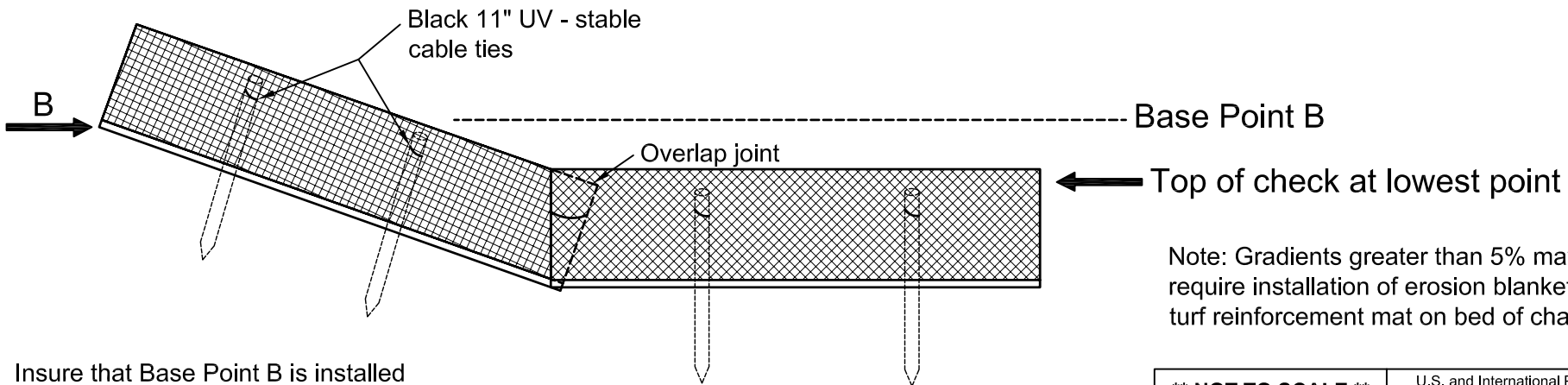
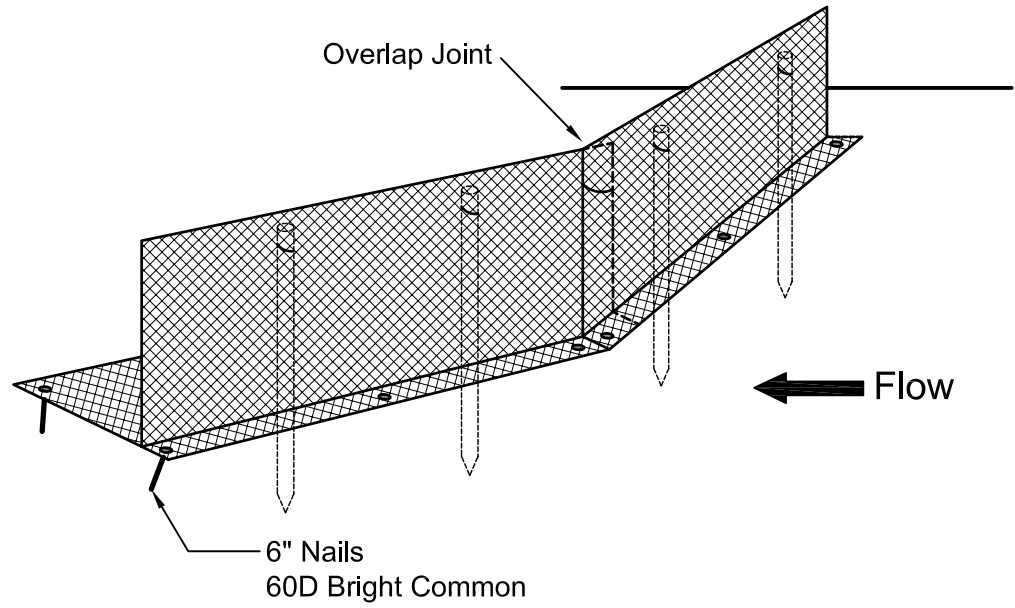
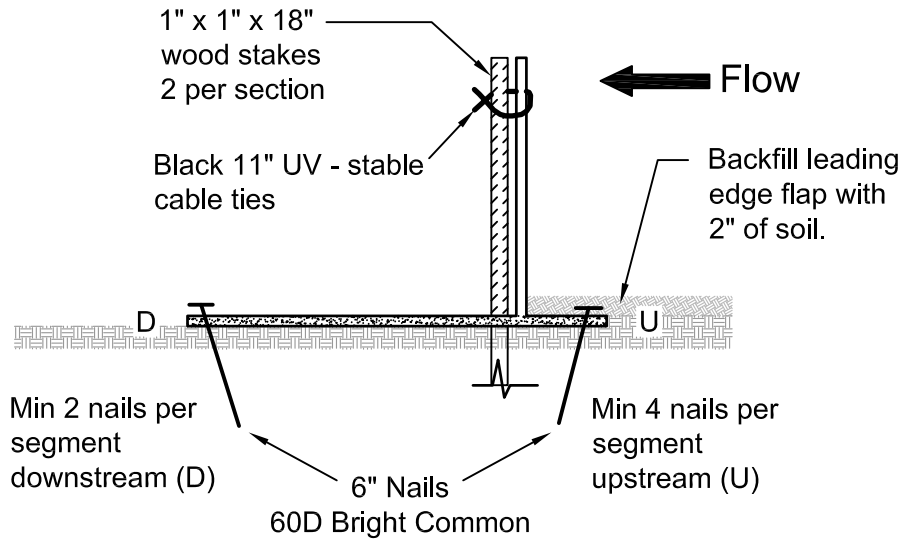
Integrated Filter Fabric for scour protection

Anchors: 6" Nail 60D Bright Common (4 upstream, 2 downstream)

Downstream Stakes: 1" x 1" x 18" or 1" x 2" x 18" (2 per segment)

** NOT TO SCALE **		U.S. and International Patents Apply © 2009 ERTEC Environmental Systems	
ERTEC Environmental Systems http://www.ertecsystems.com/			File Name: ERTEC - Installation Details - Ditch Guard.dwg
1150 Ballena Blvd. Suite 250 Alameda, CA 94501	P. 866-521-0724 F. 510-521-3972		Layout Name: P1 Dimensions and Spacing
		Default Print Size:	Page: 1 of 3

ERTEC® Ditch Guard™
Installation Details



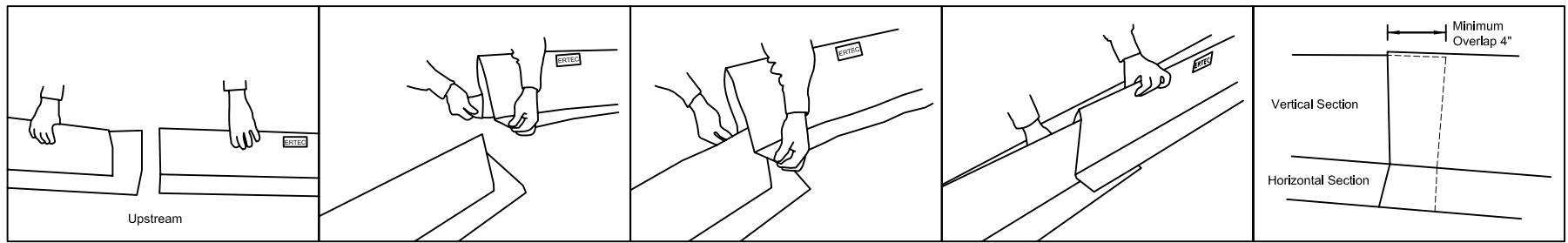
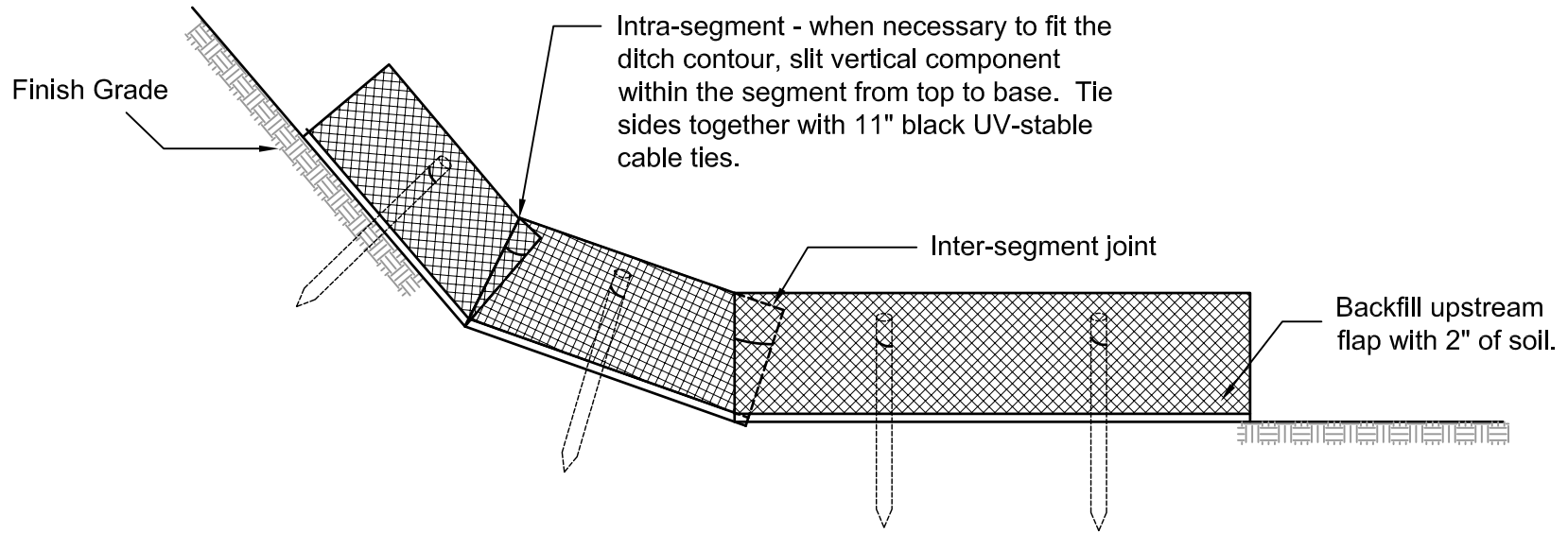
Note: Gradients greater than 5% may require installation of erosion blanket or turf reinforcement mat on bed of channel

Insure that Base Point B is installed higher than top edge to prevent water flanking and ensure flow toward channel center.

** NOT TO SCALE **		U.S. and International Patents Apply © 2009 ERTEC Environmental Systems	
ERTEC Environmental Systems http://www.ertecsystems.com/		File Name: ERTEC - Installation Details - Ditch Guard.dwg	
1150 Ballena Blvd. Suite 250 Alameda, CA 94501	P. 866-521-0724 F. 510-521-3972		Layout Name: P2 Installation Details
			Default Print Size: 8.5" x 11"

ERTEC® Ditch Guard™

Contouring to fit change
in grade angle



Important: All Information, Including Illustrations, Is believed to be reliable. Users, however, should Independently evaluate the suitability of each project for their application. ERTEC Environmental Systems makes no warranties as to the accuracy of completeness of the information, and disclaims any liability regarding its use. ERTEC Environmental System's only obligations are those in the ERTEC Environmental Systems Standard Terms and Conditions of Sale for this product, and in no case will ERTEC Environmental Systems or its distributors be liable for any incidental indirect or consequential damages arising for the sale, resale, use or misuse of the product. Specifications are subject to change without notice. In addition, ERTEC Environmental Systems reserves the right to make changes, without notification to Buyer, to processing or materials that do not affect compliance with any applicable specification.

** NOT TO SCALE **		U.S. and International Patents Apply © 2009 ERTEC Environmental Systems	
ERTEC Environmental Systems http://www.ertecsystems.com/			File Name: ERTEC - Installation Details - Ditch Guard.dwg
1150 Ballena Blvd. Suite 250 Alameda, CA 94501	P. 866-521-0724 F. 510-521-3972		Layout Name: P3 Grade Angle
		Default Print Size: 8.5" x 11"	Page: 3 of 3