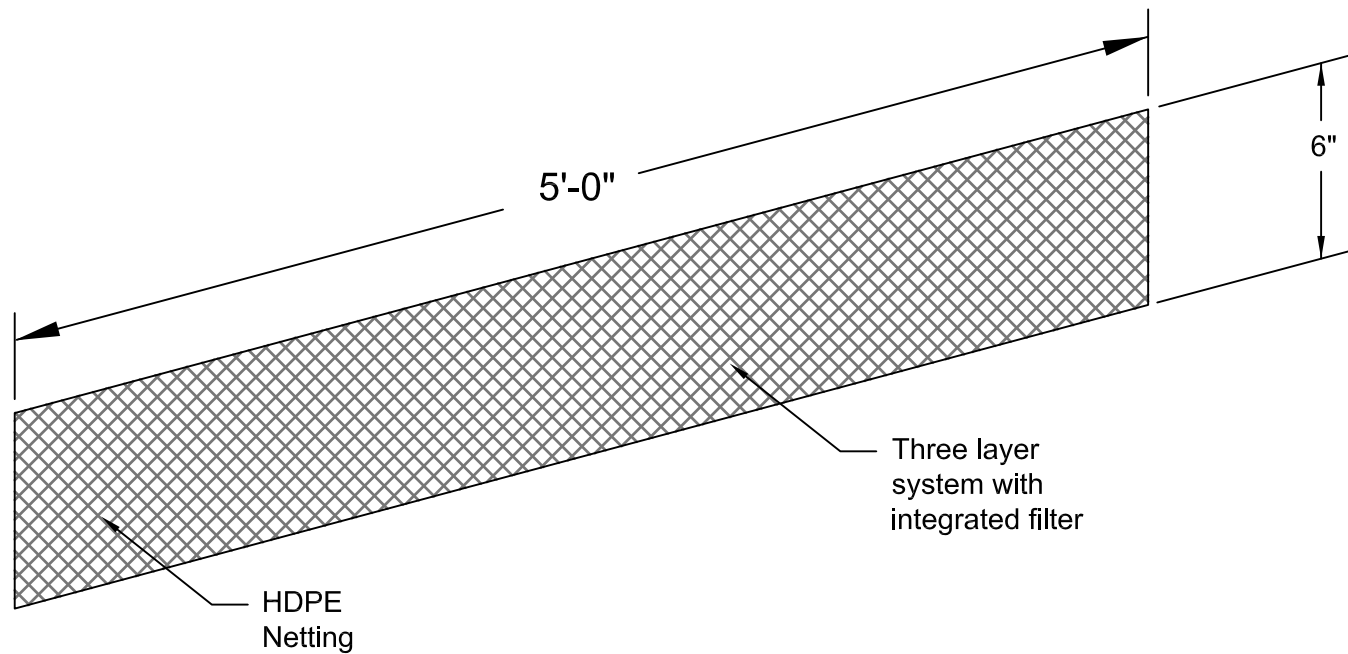


ERTEC® Edge Guard™ Details



Key Benefits:

- High reusability
- Remove without disturbing landscaping
- Compact storage and transportation

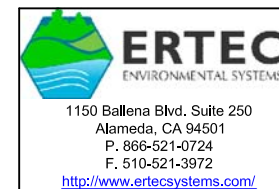
Appropriate Applications:

Edge Guard™ 6"

- Small drainage areas
- Areas to be landscaped
- Traffic islands
- New home lots
- Protect perimeter of new sod, mulch or topsoil, keeps mulch in place
- Shallow slopes, short runs, sheet flows

Limitations:

- EG has limited capture zone. For concentrated flow, use other methods.

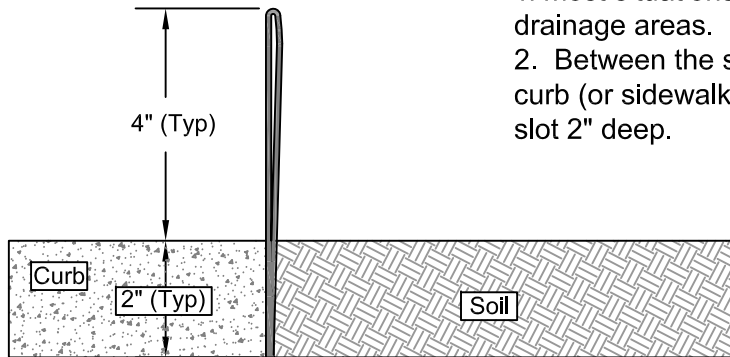


U.S. and International Patents Apply © 2009-15 ERTEC Environmental Systems		
File Name: ERTEC - Installation Details - Edge Guard.Dwg		
Layout Name: P1 Details		
Scale: NONE	Default Print Size: 8.5" x 11"	Page: 1 of 2

ERTEC® Edge Guard™

Installation Details

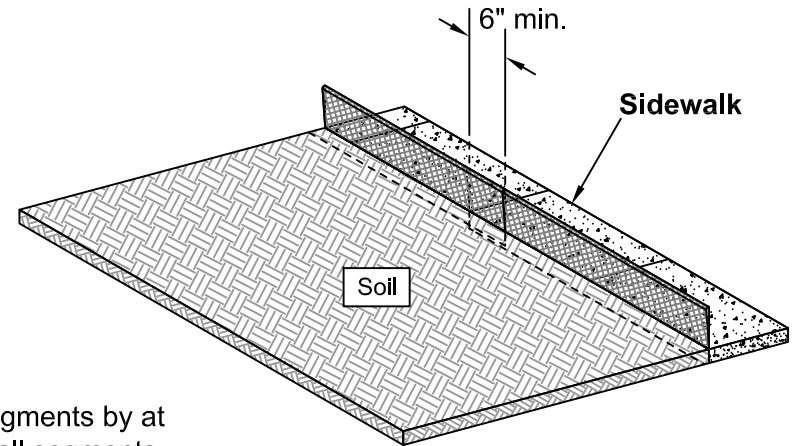
Small drainage areas



Notes:

1. Stakes are not required in most situations for small drainage areas.
2. Between the soil and curb (or sidewalk), create a slot 2" deep.

Overlap



Notes:

1. Overlap segments by at least 6". Install segments in same slot for tight fit.

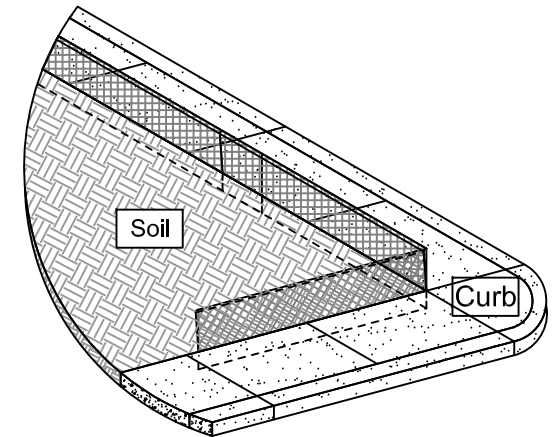
Purpose

Edge Guard is used to filter sediment laden water and detain a high percentage of sediment and associated pollutants. The system reduces the velocity of water and allows it to spread and flow-through as lower velocity sheet flow. Flow-through discourages end-around flows, under and overflow. The system filters certain sized smaller particles. The filter develops a filter cake, which in turn filters smaller and smaller particles over time.

Design Criteria

For detailed product characteristics contact ERTEC Environmental Systems @ (866) 521-0724 or www.ertecsystems.com. The unit weight of the system is 0.18 lbs per foot. For installation procedures, follow the instructions on the attached drawings. The last in-line Edge Guard should be bent and dog-legged upslope to ensure sediment containment.

Dog-leg

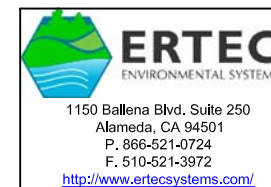


Notes:

1. The last in-line segment should be dog-legged up slope to contain sediment in a downhill run overlap so that water cannot flow between segment.

Maintenance: Perform maintenance as required. Inspect following rainfall events and at least daily during prolonged rainfall. Maintain to provide an adequate sediment holding capacity. Debris shall be removed daily and sediment shall be removed when the sediment accumulation reaches 50% of the barrier height. Removed sediment shall be incorporated in the project at designated locations.

Important: All information, including illustrations, is believed to be reliable. Users, however, should independently evaluate the suitability of each project for their application. ERTEC Environmental Systems makes no warranties as to the accuracy of completeness of the information, and disclaims any liability regarding its use. ERTEC Environmental System's only obligations are those in the ERTEC Environmental Systems Standard Terms and Conditions of Sale for this product, and in no case will ERTEC Environmental Systems or its distributors be liable for any incidental indirect or consequential damages arising for the sale, resale, use or misuse of the product. Specifications are subject to change without notice. In addition, ERTEC Environmental Systems reserves the right to make changes, without notification to Buyer, to processing or materials that do not affect compliance with any applicable specification.



U.S. and International Patents Apply © 2009-15 ERTEC Environmental Systems		
File Name: ERTEC - Installation Details - Edge Guard.Dwg		
Layout Name: P2 Edge Guard 6"		
Scale: NONE	Default Print Size: 8.5" x 11"	Page: 2 of 2