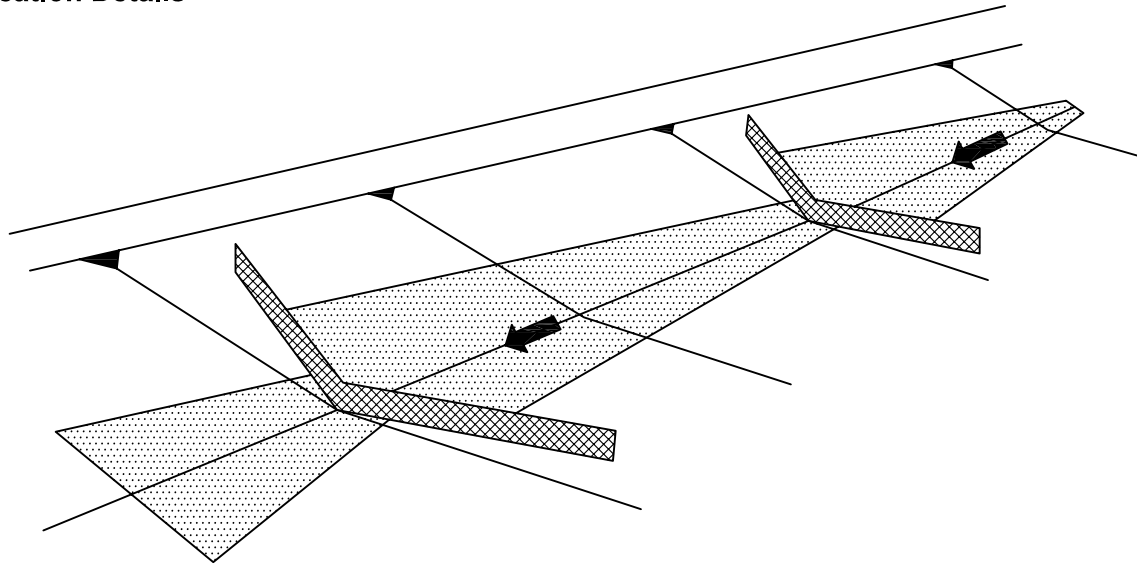


# ERTEC® ProWattle™ Temporary Check Dam

Used in a Low Volume Channel or Swale

## Application Details




### **For Check Dam Installation ProWattle shall be installed as follows:**

1. Cut horizontal flap through to crease - so that extended arms of ProWattle can be bent slightly upstream - to reduce end-around flows.
2. Dig 1" x 4" trench for ProWattle and clear of obstructions including, but not limited to, rocks, clods, and debris prior to installation.
3. Place ProWattle into trench. The horizontal flap shall be directed upstream. Secure with 6" nails (60D Bright Common) every 2.5 feet. Back-fill and cover entire horizontal flap by at least one inch with local soil or gravel.
4. If heavier flow is expected, stakes shall be installed 5 feet apart on downstream side of ProWattle. Stakes shall be driven flush with the top of the ProWattle. Stakes shall be at a minimum: 1" x 1" x 18".
5. ProWattle shall be placed as follows:

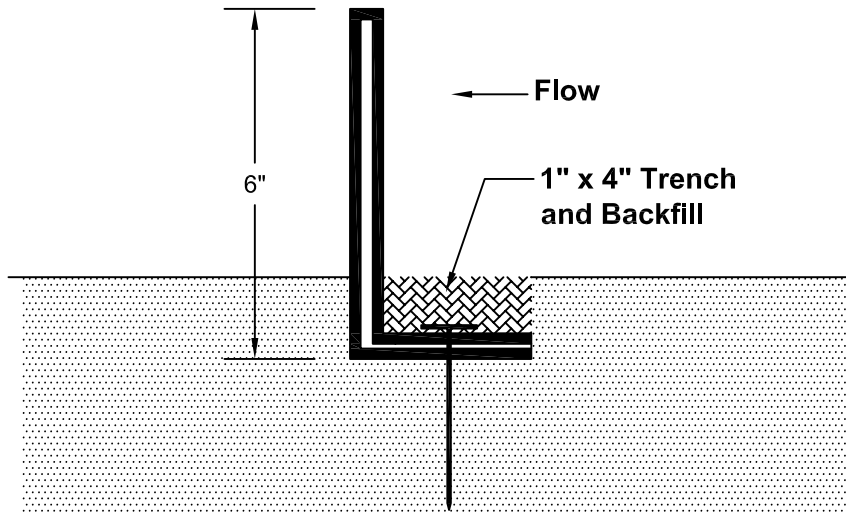
<u>Feet Apart along the slope</u>	<u>Slope Inclination (vertical:horizontal)</u>
10 feet	1:2 and steeper
15 feet	1:2 to 1:4
20 feet	1:4 and 1:10
50 feet	1:10 and flatter

6. ProWattle shall be installed prior to the application of other temporary erosion control or soil stabilization materials in the same area.
7. When no longer required, the ProWattle Check Dam can be removed and reused.

<b>** NOT TO SCALE **</b>		U.S. and International Patents Apply © 2009 ERTEC Environmental Systems	
ERTEC Environmental Systems <a href="http://www.ertecsystems.com/">http://www.ertecsystems.com/</a>			File Name: ERTEC - Installation Details - ProWattle Temporary Check Dam.dwg
1150 Ballena Blvd. Suite 250 Alameda, CA 94501	P. 866-521-0724 F. 510-521-3972		Layout Name: <b>P1 Application Details</b>
		Default Print Size:	Page:
		8.5" x 11"	1 of 2

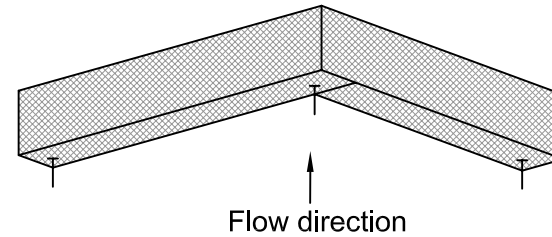
# ERTEC® ProWattle™ Temporary Check Dam

Used in a Low Volume Channel or Swale  
Installation Notes



**Notes:**

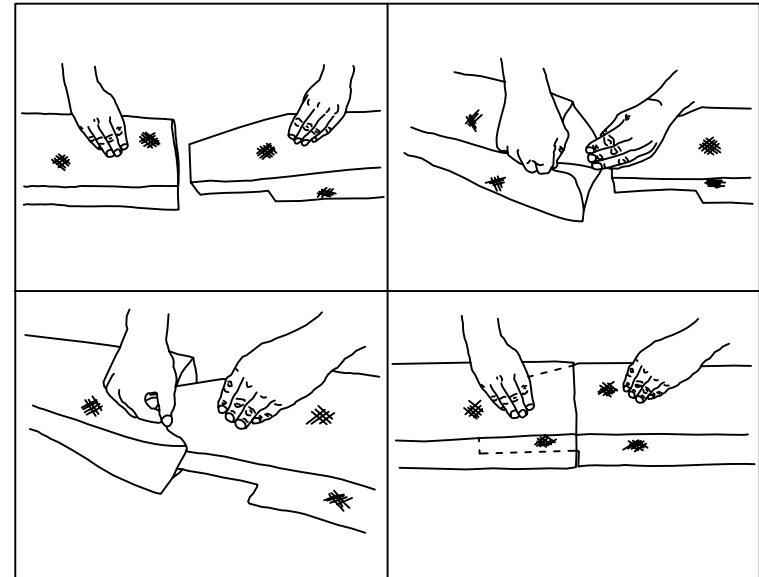
1. Use 6" nails (60D Bright-Common). Install 3 to 4 nails per each 7' segment. One at one mid-segment.
2. Install nails flush with flap so that flap is in good contact with soil.
3. Cover flap with 1" soil to prevent undercutting.
4. Overlap segments by at least 5".
5. To extend ProWattle - insert additional segments. Chamfered end fits inside opposite side of adjoining segment.



**Notes:**

1. To bend ProWattle™ around obstacles, first slit flap through to crease. Then bend to desired angle.

**Adding Segments**



**Maintenance:** Perform maintenance as required. Inspect following rainfall events and at least daily during prolonged rainfall. Maintain to provide an adequate sediment holding capacity. Debris shall be removed daily and sediment shall be removed when the sediment accumulation reaches 50% of the barrier height. Removed sediment shall be incorporated in the project at designated locations.

**Important:** All Information, including Illustrations, is believed to be reliable. Users, however, should independently evaluate the suitability of each project for their application. ERTEC Environmental Systems makes no warranties as to the accuracy or completeness of the information, and disclaims any liability regarding its use. ERTEC Environmental Systems's only obligations are those in the ERTEC Environmental Systems Standard Terms and Conditions of Sale for this product, and in no case will ERTEC Environmental Systems or its distributors be liable for any incidental indirect or consequential damages arising from the sale, resale, use or misuse of the product. Specifications are subject to change without notice. In addition, ERTEC Environmental Systems reserves the right to make changes, without notification to Buyer, to processing or materials that do not affect compliance with any applicable specification.

<b>** NOT TO SCALE **</b>		U.S. and International Patents Apply © 2009 ERTEC Environmental Systems	
<b>ERTEC Environmental Systems</b> <a href="http://www.ertecsystems.com/">http://www.ertecsystems.com/</a>			File Name: ERTEC - Installation Details - ProWattle Temporary Check Dam.dwg
1150 Ballena Blvd. Suite 250 Alameda, CA 94501	P. 866-521-0724 F. 510-521-3972		Layout Name: <b>P2 Installation Notes</b>
		Default Print Size:	Page:
		8.5" x 11"	2 of 2