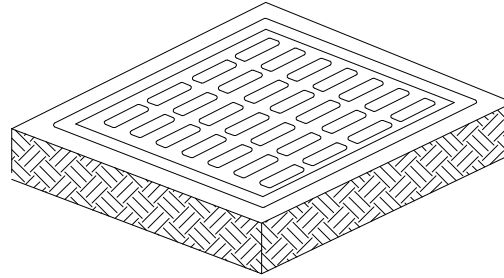


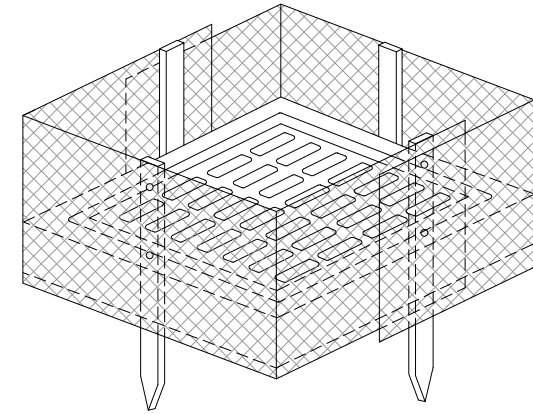
ERTEC® Drop Guard™ — For drainage inlets in ditches and fields

Installation Guide

Size of Concrete Apron	Linear Footage (ft)	Drop Guard 7' Panels Req'd	Wood Stakes Required	Wood Screws Required
2'x2'	8	2	4	8
2'x3'	10	2	4	8
3'x3'	12	2	4	8
3'x4'	14	3	4	8
4'x4'	16	3	4	8
5'x5'	20	4	8	16



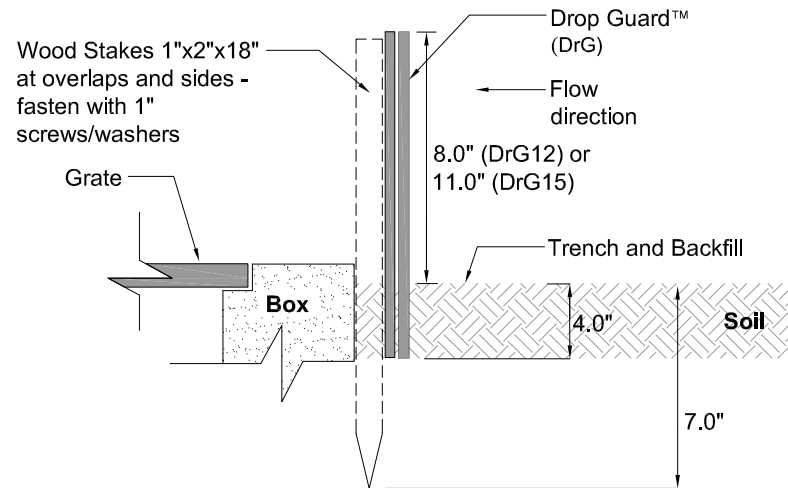
Unprotected drainage inlet



ERTEC® Drop Guard™
Protected drainage inlet
Drop Guard™ is "International Orange" and available in 2 heights (12" and 15")

Installation Notes:

1. Trench around grate or concrete apron to a minimum depth of 4".
2. Wrap Drop Guard™ around outside of concrete apron or grate. Bend sharply at corners for tight fit.
3. Overlap panels by 4" minimum (panels are 7 ft. long). See Table 1 for number of panels required.
4. Install stakes (1"x2"x18") on inside or outside at overlaps and in center of each side. Drive stakes so that tops are flush with top of Drop Guard™. Fasten each stake to Drop Guard™ with two 1" wood screws. Backfill soil.
5. After installation, it is recommended to stabilize the soil around the drain inlet with straw mulch or erosion control blankets. Drop Guard™ is highly effective when used in combination with other surface soil erosion/re-vegetation practices such as erosion control blankets, hydraulic mulching, etc.



Elevation View

Maintenance: Perform maintenance as required. Inspect following rainfall events and at least daily during prolonged rainfall. Maintain to provide an adequate sediment holding capacity. Debris shall be removed daily and sediment shall be removed when the sediment accumulation reaches 50% of the barrier height. Removed sediment shall be incorporated in the project at designated locations.

Important: All information, including illustrations, is believed to be reliable. Users, however, should independently evaluate the suitability of each project for their application. ERTEC Environmental Systems makes no warranties as to the accuracy of completeness of the information, and disclaims any liability regarding its use. ERTEC Environmental System's only obligations are those in the ERTEC Environmental Systems Standard Terms and Conditions of Sale for this product, and in no case will ERTEC Environmental Systems or its distributors be liable for any incidental indirect or consequential damages arising for the sale, resale, use or misuse of the product. Specifications are subject to change without notice. In addition, ERTEC Environmental Systems reserves the right to make changes, without notification to Buyer, to processing or materials that do not affect compliance with any applicable specification.



1150 Ballena Blvd. Suite 250
Alameda, CA 94501
P. 866-521-0724
F. 510-521-3972
<http://www.ertecsystems.com/>

U.S. and International Patents Apply
© 2009-15 ERTEC Environmental Systems

File Name:
ERTEC - Installation Guide - Drop Guard.dwg

Layout Name:
P1 Details

Scale: NONE Default Print Size: 8.5" x 11" Page: 1 of 1