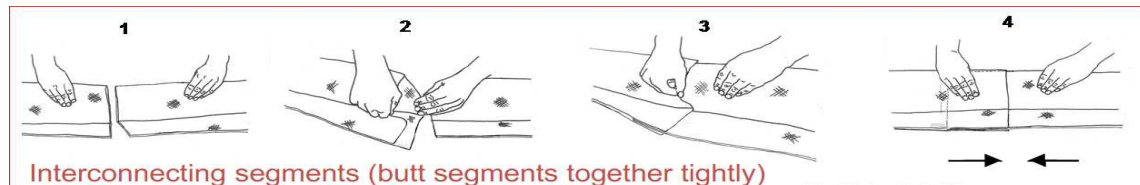
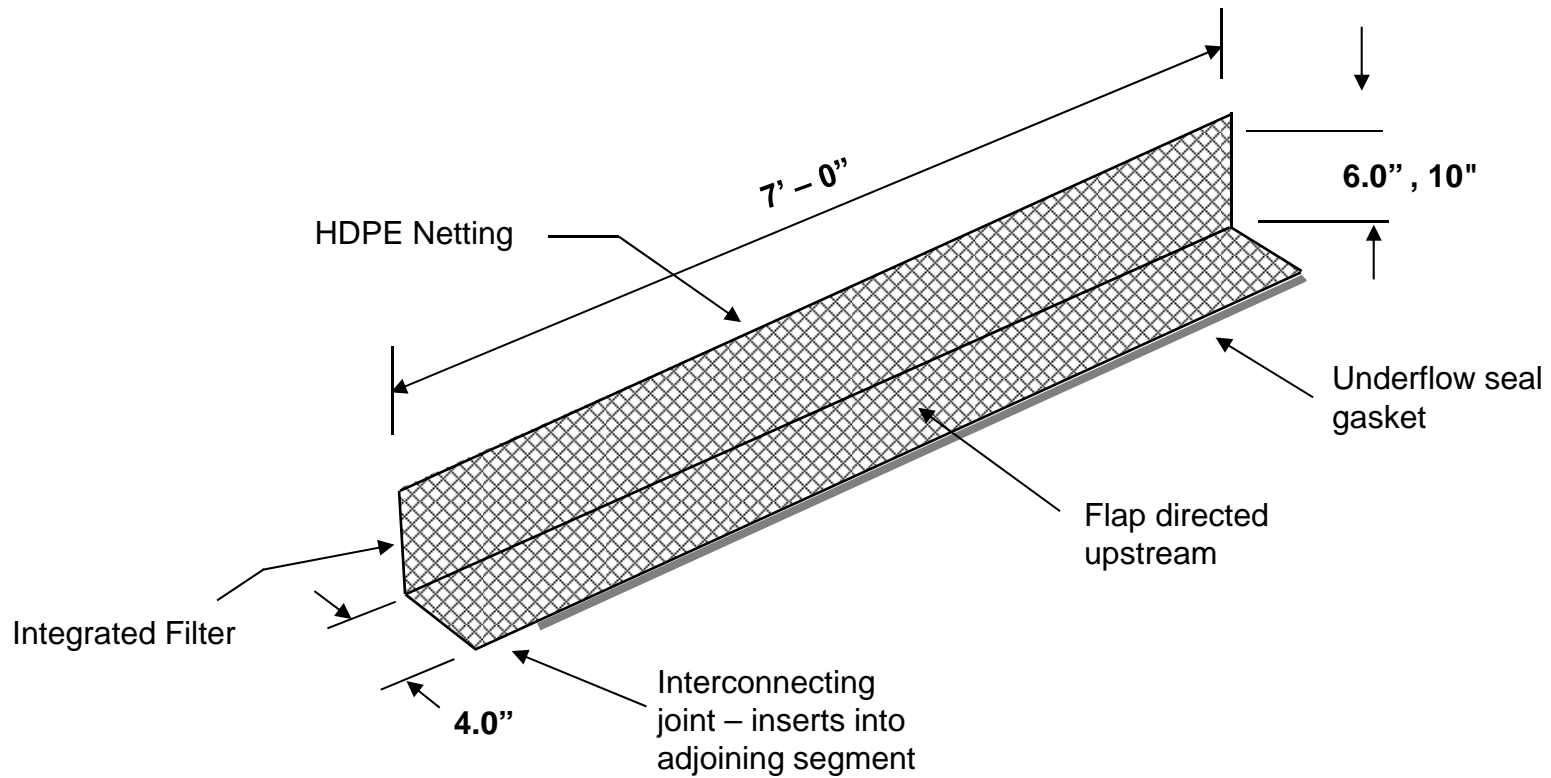


# HARD SURFACE GUARD DETAILS



NOT TO SCALE

Page 1 of 4



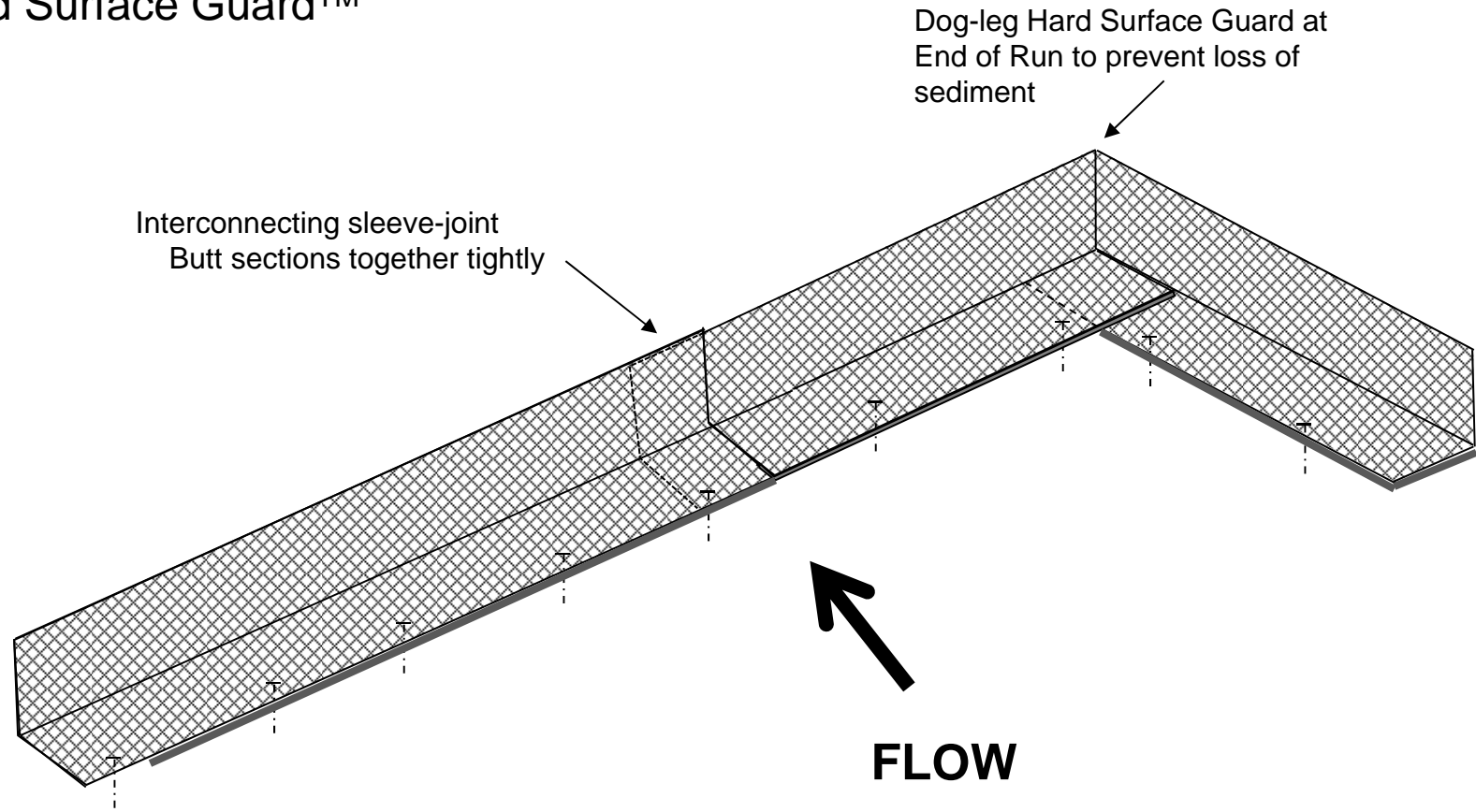
**ERTEC**  
ENVIRONMENTAL SYSTEMS

Installation Details  
**Hard Surface Guard™**  
[www.ertecsystems.com](http://www.ertecsystems.com)

December 2014  
866-521-0724

# END-OF-RUN DETAILS

## Hard Surface Guard™



NOT TO SCALE

Page 2 of 4



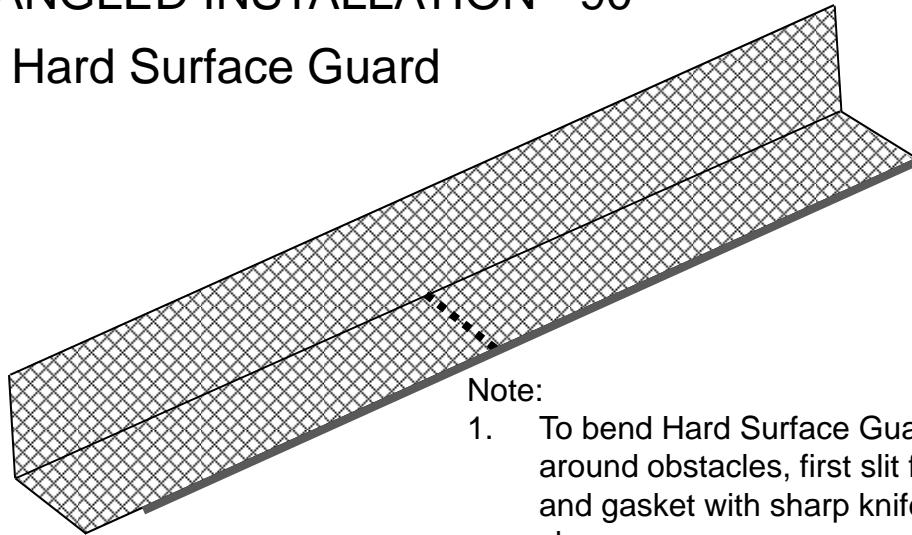
**ERTEC**  
ENVIRONMENTAL SYSTEMS

Installation Details  
**Hard Surface Guard™**  
[www.ertecsystems.com](http://www.ertecsystems.com)

December 2014  
866-521-0724

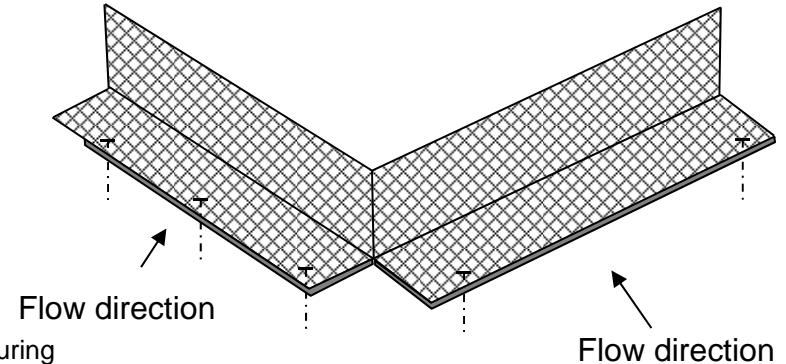
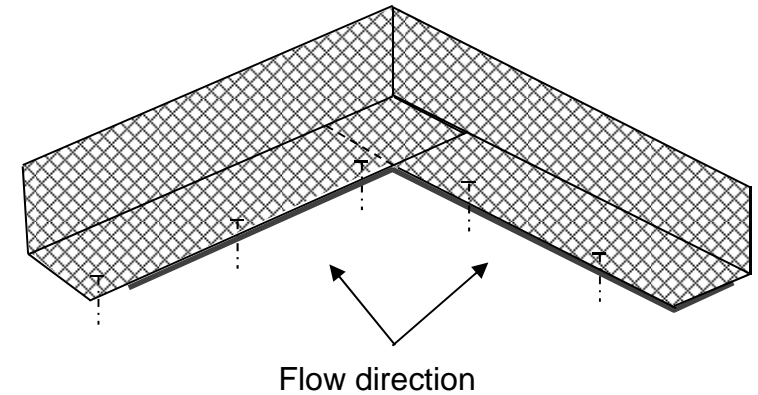
## ANGLED INSTALLATION - 90°

### Hard Surface Guard



**Note:**

1. To bend Hard Surface Guard around obstacles, first slit flap and gasket with sharp knife or shears.
2. Then bend to desired angle, in either direction, as shown.



**Note:**

1. If bend is in this direction, locate gravel bag at angle to prevent underflow.

### Maintenance

Perform maintenance as required. Inspect following rainfall events and at least daily during prolonged rainfall. Maintain to provide an adequate sediment holding capacity. Trash shall be removed daily and sediment shall be removed when the sediment accumulation reaches 50% of the barrier height. Removed sediment shall be incorporated in the project at designated locations.

**Important:** All information, including illustrations, is believed to be reliable. Users, however, should independently evaluate the suitability of each product for their application. ERTEC Environmental Systems makes no warranties as to the accuracy of completeness of the information, and disclaims any liability regarding its use. ERTEC Environmental System's only obligations are those in the ERTEC Environmental Systems Standard Terms and Conditions of Sale for this product, and in no case will ERTEC Environmental Systems or its distributors be liable for any incidental, indirect or consequential damages arising from the sale, resale, use or misuse of the product. Specifications are subject to change without notice. In addition, ERTEC Environmental Systems reserves the right to make changes, without notification to Buyer, to processing or materials that do not affect compliance with any applicable specification.

NOT TO SCALE

Page 3 of 4



**ERTEC**  
ENVIRONMENTAL SYSTEMS

Installation Details

**Hard Surface Guard™**

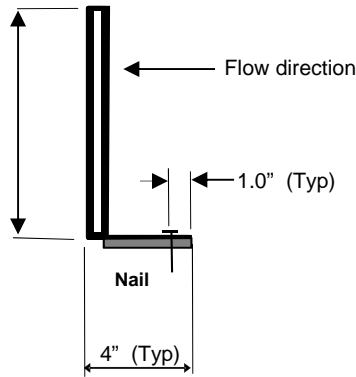
[www.ertecsystems.com](http://www.ertecsystems.com)

December 2014

866-521-0724

# ANCHOR DETAILS Hard Surface Guard

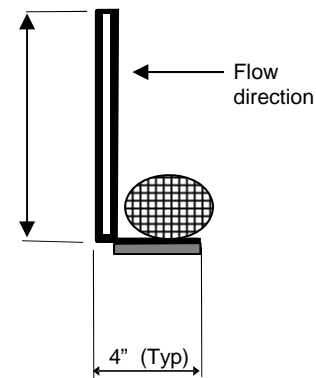
## 1. Asphalt Installation — Masonry Nails



**Notes:**

1. Install nails flush with netting so that gasket is in good contact with surface.
2. Install 4 to 5 nails per each seven foot segment. Use HILTI X-ZF 1 1/4" or 1 1/2" fasteners with 23mm pre-mounted steel washer (X-ZF 32 P8 S23) or equivalent with automatic powder-actuated hand tool.

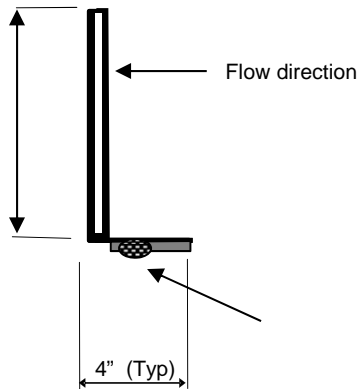
## 3. Asphalt or Concrete Installation Gravel Bags, Snake Bags



**Notes:**

1. Install anchor flap facing upstream. Place small snake bags or equivalent (gravel bags) containing clean, pea-sized graded gravel every 2.5 feet. Additional bags can be placed on the flap as necessary to assure good gasket to surface contact.

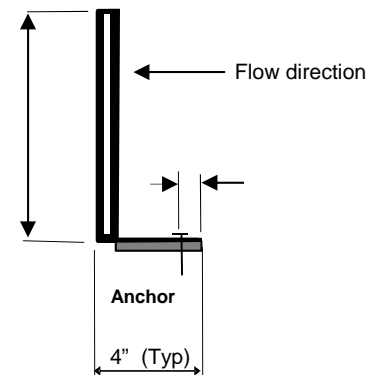
## 2. Asphalt or Concrete — Bonding Agent



**Notes:**

1. Install bonding agent between gasket and surface. Use PaverBond, Liquid Nails, or equivalent. Anchor with gravel bags or other weights until set.

## 3. Alternative Concrete Installation Concrete Anchors



**Notes:**

1. Install anchors flush with netting so that gasket is in good contact with surface.
2. Install 4 to 5 anchors per each seven foot segment. Use Red Head Redi-Drive or Hammer Set 1/4" x 1-1/4" anchors or equivalent.

NOT TO SCALE

Page 4 of 4



**ERTEC**  
ENVIRONMENTAL SYSTEMS

Installation Details

**Hard Surface Guard™**

[www.ertecsystems.com](http://www.ertecsystems.com)

December 2014  
866-521-0724