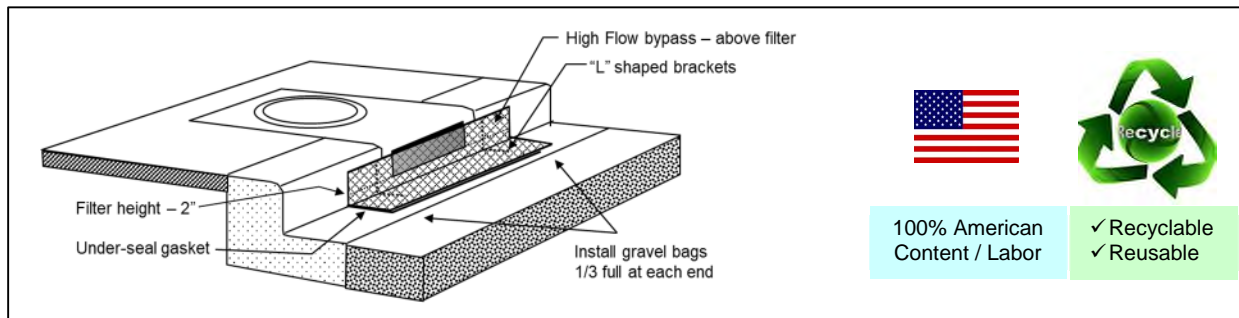




Curb Inlet Guard (CIG) is a patented, low cost system which reduces sedimentation into curb drain inlets. CIG is engineered to balance the critical tradeoff between allowing water to flow off the street for safety and capturing sediment. CIG is an important part of a comprehensive best management practice approach for site sediment control. The integrated filter has a vertical height of 2 inches to allow water to

bypass during high flow events. Each unit has additional bypass area cut through the open matrix. The units are made from durable HDPE with built-in brackets to keep it from collapsing into the storm drain. One size fits-all - segments can be overlapped and adjusted as needed to fit all long curb openings. The system reduces costs significantly because it is easy to install, clean, has a long life and can be reused.



**Product Characteristics**

Module weight (lbs)	3.0	Filter- min AOS (microns)	425
Functional life (min years)	4	Tensile Yield ASTM D-638 (lb/in <sup>2</sup> )	1800 - 2800
Module Height (inches) (min)	8.0	Ultimate Tensile Strength: ASTM D-638 (lb/in <sup>2</sup> )	2000 - 2800
Module Length / Opening size protected (ft)	6.25 / 5	Service temperature deg F	-30 to 160
Filter freeboard height (inches)	2.0	Filter Flow Rate ASTM D-4491 gpm/ft <sup>2</sup> (min)	145
Integrated brackets	YES	Bypass for high flow conditions	YES
Reusable	YES	Seals to pavement to control underflow	YES
Easy to clean	YES		

**Application information**

Modular 6.25' lengths fit 5' openings and can fit together for longer curb inlet openings. Heights vary to fit vertical opening height and curb height. Dimensions are typically standard in geographical regions.



**Product Benefits**

- Fast installation
- Long life, UV stable
- Stands up to construction site abuse
- Lower total costs
- Modules overlap to fit any length
- One installation per project
- Lightweight, easy to transport
- One size to order and stock
- Above street, easy to clean